

## BEACON - R

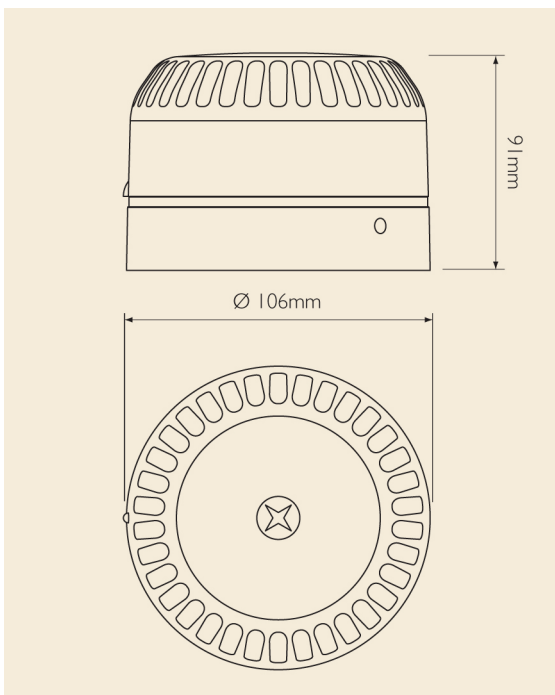


### Product Overview

The Solex range of xenon beacons are a replacement for the earlier BE and Inergi (IB) beacons. The increased functionality of the Solex permits a much reduced range of products and therefore allows a simplified stock holding and easier choice for the installer. The wide operating voltage, increased efficiency and automatic synchronisation of the Solex make them a universal solution for all types of alarm and monitoring system.

- WIDE OPERATING VOLTAGE UP TO 60Vdc
- CURRENT SURGE SUPPRESSION
- AUTOMATIC SYNCHRONISATION
- HIGH EFFICIENCY
- CONSTANT PERFORMANCE OVER VOLTAGE RANGE
- LOCKING BASE
- TAMPER SWITCH FOR SECURITY APPLICATIONS
- FIVE LENS COLOURS

### Technical



|                            |                                                                             |                        |
|----------------------------|-----------------------------------------------------------------------------|------------------------|
| Voltage                    | 10 to 60Vdc (*1)                                                            |                        |
| Current                    | Solex 3 - 35mA @24Vdc<br>Solex 10 - 80mA @ 24Vdc<br>Solex 15 - 220mA @24Vdc |                        |
| Light source               | Xenon                                                                       |                        |
| Light output               | Solex 3 - 2.5Cd<br>Solex 10 - 10Cd<br>Solex 15 - 15Cd                       |                        |
| Flash rate                 | 1Hz                                                                         |                        |
| Synchronisation            | 10ms over 30mins                                                            |                        |
| Temperature                | - 25°C to + 70°C                                                            |                        |
| Monitoring                 | Reverse polarity                                                            |                        |
| Anti-tamper (where fitted) | Normally closed contact. Contacts open when beacon removed from base        |                        |
| Protection                 | IP54 Shallow base                                                           | IP65 Deep & U base     |
| Construction               | Base ABS FR                                                                 | Lens PC                |
| Weight                     | 0.15Kg - Shallow base                                                       | 0.18Kg - Deep & U base |
| Lens colour                | Red, amber, blue, green or clear                                            |                        |

(\*1) Solex 3 & 10 will operate from 110 / 230Vac when used with a Deep powered base.